



# Southern Cross

## TQ-Series

**AUTOMATIC WATER PRESSURE SYSTEMS  
WITH ELECTRONIC CONTROL**

# 2 YEAR WARRANTY

- Compact design
- Quiet operation
- High quality, corrosion resistant construction
- Includes pressure gauge and stainless steel inlet strainer
- Built-in loss of prime shut-off with reset function
- Convenient pump priming plug
- Motor thermal overload protection
- Easy to fit screwed connections flanged to pump
- Built-in electronic control with internal pressure and flow switches for automatic operation

- Designed for automatic pressure boosting in domestic applications, gardens, dairies and stock watering
- Ideal for pressure boosting from rainwater tanks

- 3 models to supply from 1 to 5 taps
- Easy to install... supplied with 1.8m lead with 3 pin plug and screwed pipe connections



Model	Motor	Inlet x Outlet Screwed	Max. Head Metres	Max. Output Litres/min	Output at 140kPa (20PSI) Litres/min	Number of Taps
TQ200	0.18kW 240V 1Ph	25mm (1" BSPF)	22	45	20	☐ ☐
TQ400	0.37kW 240V 1Ph	25mm (1" BSPF)	30	75	50	☐ ☐ ☐
TQ800	0.75kW 240V 1Ph	25mm (1" BSPF)	35	95	80	☐ ☐ ☐ ☐ ☐



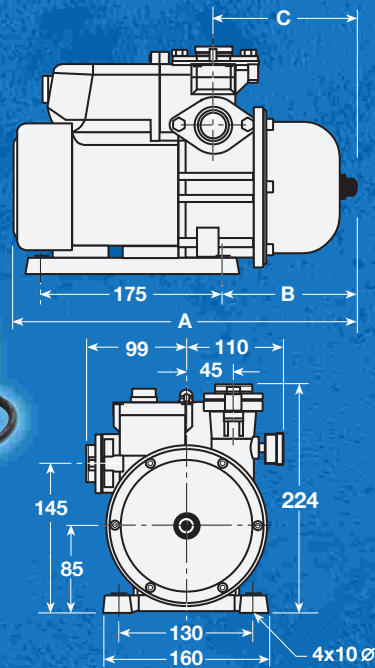
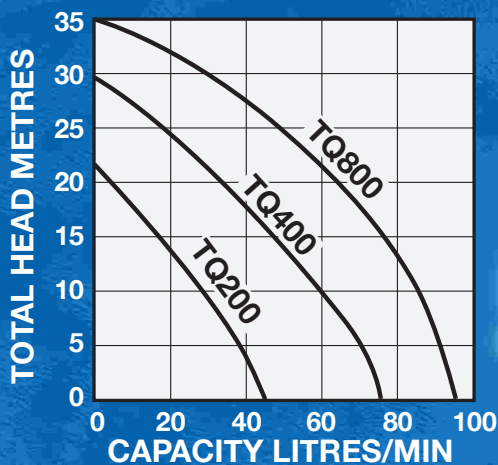
## TQ-Series

**AUTOMATIC WATER PRESSURE SYSTEMS  
WITH ELECTRONIC CONTROL**



# 2 YEAR WARRANTY

### PUMP PERFORMANCE



Model	Dimension (mm)			Mass kg
	A	B	C	
TQ200	362	155	150	8
TQ400	380	173	178	9.5
TQ800	436	173	178	12

#### Construction Materials...

- Pump Casing — Glass filled Noryl
- Impellers — Glass filled Noryl
- Pump Connections — Grade 304 stainless steel
- Intermediate Chamber — Glass filled polycarbonate
- Mechanical Seal — Ceramic / Carbon / NBR
- Shaft — Grade 410 stainless steel

#### Operating Conditions

- Ambient Temperature — Maximum +40° C
- Pumped Liquid — Clean, non-aggressive water
- Liquid Temperature — +4° C to +40° C
- Maximum Pressure — 580 kPa (85 PSI)

Available from.....



**Ph: 131 786**

e-mail: [tpspumping@typac.com.au](mailto:tpspumping@typac.com.au)  
web: [www.southcross.com.au](http://www.southcross.com.au)

As Tyco policy is one of constant improvement, we reserve the right to make specification changes without notice and without incurring liability.

A division of **tyco** Flow Control Pacific Pty Ltd  
A.B.N. 83 000 922 690

Form 2813 Nov 2006